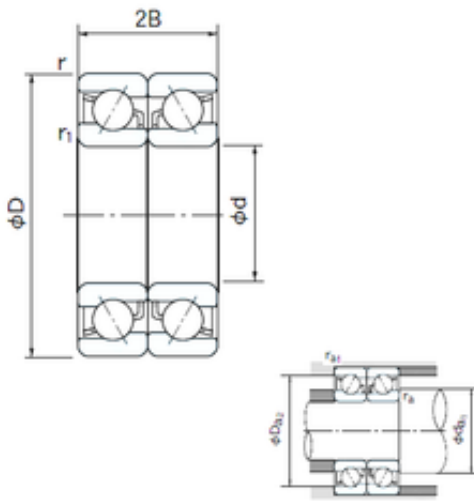




NTN BEARING CORP.OF AMERICA



140 mm x 250 mm x 42 mm NACHI 7228DB
angular contact ball bearings

Bearing No. 7228DB

7228DB Bearing 2D drawings and 3D CAD models

Size	140x250x42 mm
Bore Diameter	140 mm
Outer Diameter	250 mm
Width	42 mm
d	140 mm
D	250 mm
B	42 mm
C	42 mm
Angle (°)	30 °
a	35.3 mm
r min.	3 mm
r1 min.	1.1 mm
2B	84 mm
da min.	147 mm
Da max.	243 mm
ra max.	1 mm
Weight	8.78 Kg
Basic dynamic load rating (C)	345 kN
Basic static load rating (C0)	525 kN
(Grease) Lubrication Speed	1800 r/min
Bore Type	Cylindrical Bore
Enclosure	Open
Configuration	Duplex
Bore Size	140 mm
Outside Diameter	250 mm



NTN BEARING CORP.OF AMERICA

Width	42 mm
Fillet Radius/Chamfer	3 mm
r1	1.1 mm
Dynamic Load Rating	345,000 N
Static Load Rating	525,000 N
Limiting Speed - Grease	1,800 rpm
Limiting Speed - Oil	2,400 rpm
da1 (min)	154 mm
da2 (min)	147 mm
Da1 (max)	236 mm
Da2 (max)	243 mm
ra (max)	2.5 mm
ra1 (max)	1 mm