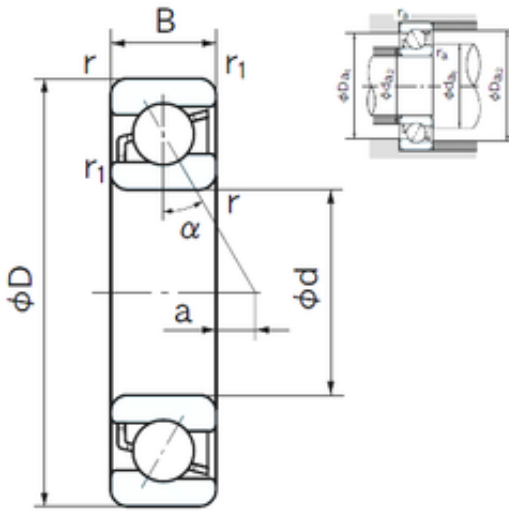




# NTN BEARING CORP.OF AMERICA



60 mm x 110 mm x 22 mm NACHI 7212B  
angular contact ball bearings

Bearing No. 7212B

7212B Bearing 2D drawings and 3D CAD models

Size	60x110x22 mm
Bore Diameter	60 mm
Outer Diameter	110 mm
Width	22 mm
d	60 mm
D	110 mm
B	22 mm
C	22 mm
Angle ( ° )	40 °
a	24.7 mm
r min.	1.5 mm
r1 min.	1 mm
da min.	69 mm
Da max.	101 mm
ra max.	1.5 mm
Weight	0.820 Kg
Basic dynamic load rating (C)	58 kN
Basic static load rating (C0)	46 kN
(Grease) Lubrication Speed	4800 r/min
Category	Angular Contact Ball Bearings
Inventory	0.0
Manufacturer Name	NACHI
Minimum Buy Quantity	N/A
Weight / Kilogram	0.822



## NTN BEARING CORP.OF AMERICA

Product Group	B00308
Enclosure	Open
Flush Ground	No
Rolling Element	Ball Bearing
Number of Rows of Balls	Single Row
Precision Class	ABEC 1   ISO P0
Maximum Capacity / Filling Slot	No
Snap Ring	No
Cage Material	Steel
Contact Angle	40 Degree
Internal Clearance	C0-Medium
Number of Bearings	1 (Single)
Inch - Metric	Metric
Long Description	60MM Bore; 110MM Outside Diameter; 22MM Width; Open; No Flush Ground; Ball Bearing; Single Row of Balls; ABEC 1   ISO P0; No Filling Slot; No Snap Ring
Category	Angular Contact Ball Bearing
UNSPSC	31171531
Harmonized Tariff Code	8482.10.50.28
Noun	Bearing
Keyword String	Angular Contact
Manufacturer URL	<a href="http://www.nachi.com">http://www.nachi.com</a>
Manufacturer Item Number	7212 B BNLS
Weight / LBS	1.81
Width	0.866 Inch   22 Millimeter
Outside Diameter	4.331 Inch   110 Millimeter
Bore	2.362 Inch   60 Millimeter
Configuration	Single Row
Bore Type	Cylindrical Bore



## NTN BEARING CORP.OF AMERICA

Bore Size	60 mm
Fillet Radius/Chamfer	1.5 mm
r1	1 mm
Dynamic Load Rating	58,000 N
Static Load Rating	46,000 N
Limiting Speed - Grease	4,800 rpm
Limiting Speed - Oil	6,300 rpm
da1 (min)	69 mm
da2 (min)	65 mm
Da1 (max)	101 mm
Da2 (max)	104.6 mm
ra (max)	1.5 mm
ra1 (max)	1 mm