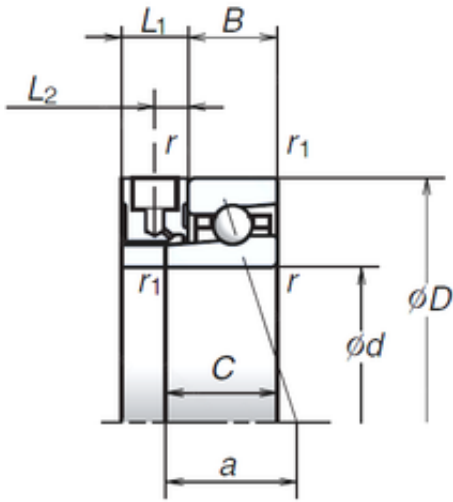




NTN BEARING CORP.OF AMERICA



105 mm x 160 mm x 26 mm NSK 105BNR10XE
angular contact ball bearings

Bearing No. 105BNR10XE

Size	105x160x26 mm
Bore Diameter	105 mm
Outer Diameter	160 mm
Width	26 mm
d	105 mm
D	160 mm
B	26 mm
C	31 mm
L2	7,5 mm
Angle ()	18 °
a	39,5 mm
r min.	2 mm
r1 min.	1 mm
L1	15 mm
Weight	1,707 Kg
Basic dynamic load rating (C)	41 kN
Basic static load rating (C0)	41 kN
(Grease) Lubrication Speed	25 000 r/min

105BNR10XE Bearing 2D drawings and 3D CAD models