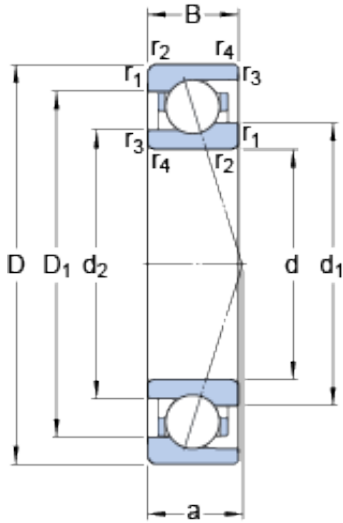




# NTN BEARING CORP.OF AMERICA



## 50 mm x 72 mm x 12 mm SKF 71910 CE/P4A angular contact ball bearings

Bearing No. 71910 CE/P4A

71910 CE/P4A Bearing 2D drawings and 3D CAD models

Size	72x50x12 mm
Bore Diameter	72 mm
Outer Diameter	50 mm
Width	12 mm
d	50 mm
D	72 mm
B	12 mm
d <sub>1</sub>	56.7 mm
d <sub>2</sub>	54.9 mm
D <sub>1</sub>	65.3 mm
r <sub>1,2</sub> - min.	0.6 mm
r <sub>3,4</sub> - min.	0.3 mm
a	14.7 mm
d <sub>a</sub> - min.	53.2 mm
d <sub>b</sub> - min.	52 mm
D <sub>a</sub> - max.	68.8 mm
D <sub>b</sub> - max.	70 mm
r <sub>a</sub> - max.	0.6 mm
r <sub>b</sub> - max.	0.3 mm
d <sub>n</sub>	58.4 mm
Basic dynamic load rating - C	12.7 kN
Basic static load rating - C <sub>0</sub>	8.6 kN
Fatigue load limit - P <sub>u</sub>	0.365 kN
Limiting speed for grease	26000 r/min



# NTN BEARING CORP.OF AMERICA

Lubrication	
Limiting speed for oil lubrication	40000 mm/min
Ball - $D_w$	7.144 mm
Ball - z	21
$G_{ref}$	1.7 cm3
Calculation factor - $f_0$	8.4
Preload class A - $G_A$	69 N
Preload class B - $G_B$	210 N
Preload class C - $G_C$	410 N
Calculation factor - f	1.15
Calculation factor - f	1
Calculation factor - $f_{2A}$	1
Calculation factor - $f_{2B}$	1.04
Calculation factor - $f_{2C}$	1.08
Calculation factor - $f_{HC}$	1
Preload class A	38 N/micron
Preload class B	61 N/micron
Preload class C	83 N/micron
Category	Precision Ball Bearings
Inventory	0.0
Manufacturer Name	SKF
Minimum Buy Quantity	N/A
Weight / Kilogram	0
Product Group	B04270
Enclosure	Open
Precision Class	ABEC 7   ISO P4
Material - Ball	Steel
Number of Bearings	1 (Single)
Contact Angle	15 Degree
Preload	None



## NTN BEARING CORP.OF AMERICA

Raceway Style	1 Rib Inner Ring and Outer Ring
Cage Material	Phenolic
Rolling Element	Ball Bearing
Flush Ground	No
Inch - Metric	Metric
Other Features	Single Row   Angular Contact   High Speed E Design
Long Description	50MM Bore; 72MM Outside Diameter; 12MM Width; Open Enclosure; ABEC 7   ISO P4 Precision; Steel Ball Material; 1 (Single) Bearing; 15 Degree Contact Angle; Phenolic Cage Material; 1 Rib Inner Ring and
Category	Precision Ball Bearings
UNSPSC	31171531
Harmonized Tariff Code	8482.10.50.28
Noun	Bearing
Keyword String	Ball Angular Contact
Manufacturer URL	<a href="http://www.skf.com">http://www.skf.com</a>
Width	0.472 Inch   12 Millimeter
Bore	1.969 Inch   50 Millimeter
Outside Diameter	2.835 Inch   72 Millimeter
d <sub>1</sub>	56.7 mm
d <sub>2</sub>	54.9 mm
D <sub>1</sub>	65.3 mm
r <sub>1,2</sub> min.	0.6 mm
r <sub>3,4</sub> min.	0.3 mm
d <sub>a</sub> min.	53.2 mm
d <sub>b</sub> min.	52 mm
D <sub>a</sub> max.	68.8 mm
D <sub>b</sub> max.	70 mm



## NTN BEARING CORP.OF AMERICA

$r_a$ max.	0.6 mm
$r_b$ max.	0.3 mm
$d_n$	58.4 mm
Basic dynamic load rating C	12.7 kN
Basic static load rating $C_0$	8.65 kN
Fatigue load limit $P_u$	0.365 kN
Attainable speed for grease lubrication	26000 r/min
Attainable speed for oil-air lubrication	40000 r/min
Ball diameter $D_w$	7.144 mm
Number of balls z	21
Reference grease quantity $G_{ref}$	1.7 cm <sup>3</sup>
Preload class A $G_A$	69 N
Static axial stiffness, preload class A	38 N/ $\mu$ m
Preload class B $G_B$	210 N
Static axial stiffness, preload class B	61 N/ $\mu$ m
Preload class C $G_C$	410 N
Static axial stiffness, preload class C	83 N/ $\mu$ m
Calculation factor f	1.15
Calculation factor $f_1$	1
Calculation factor $f_{2A}$	1
Calculation factor $f_{2B}$	1.04
Calculation factor $f_{2C}$	1.08
Calculation factor $f_{HC}$	1
Calculation factor $f_0$	8.4
Mass bearing	0.13 kg