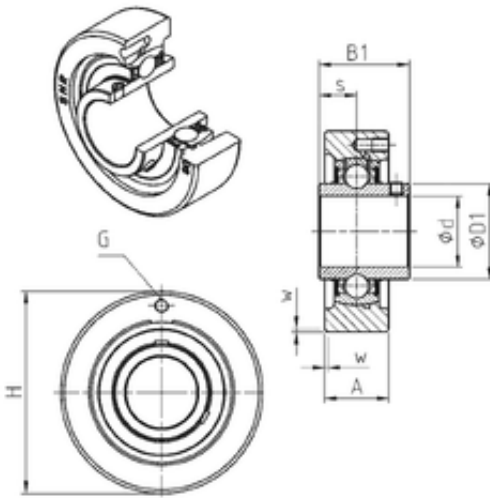




NTN BEARING CORP.OF AMERICA



SNR UCC310 bearing units

Bearing No. UCC310

Bore Diameter	50 mm
d	50 mm
s	22 mm
A	40 mm
B1	61 mm
D1	68,7 mm
H	140 mm
W	3,5 mm
Thread (G)	M6x1
Weight	3,3 Kg
Basic dynamic load rating (C)	62 kN
B	61 mm
A3	3.5 mm
A5	39 mm
G	M6x1
s1	30.5 mm
S	22 mm
SW	6 mm
C	62 kN
C0	37.8 kN
T min.	-20 ° C
T max.	100 ° C
Recommended tightening torque for set screw	33 Nm
Designation of housing	C310-
Designation of bearing	UC310G2

UCC310 Bearing 2D drawings and 3D CAD models



NTN BEARING CORP.OF AMERICA