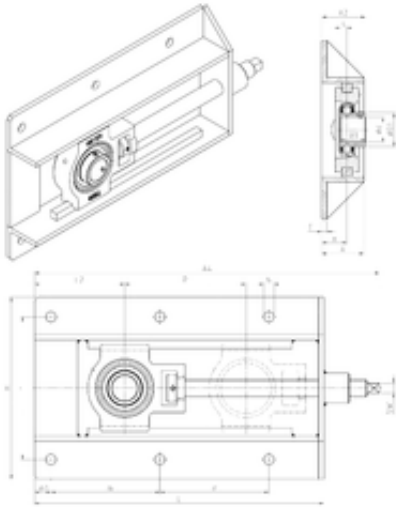




NTN BEARING CORP.OF AMERICA



UST209+WB Bearing 2D drawings and 3D CAD models

SNR UST209+WB bearing units

Bearing No. UST209+WB

Bore Diameter	45 mm
d	45 mm
A4	590 mm
P	300 mm
e	30 mm
L2	108 mm
s	10,2 mm
SW	15 mm
A	50 mm
B1	41,2 mm
D1	57,2 mm
H	233 mm
J	192 mm
L	520 mm
M	219 mm
M1	22 mm
N	15 mm
T	6 mm
A2	61 mm
Weight	11,8 Kg
Basic dynamic load rating (C)	31,85 kN
A1	16 mm
B	41.2 mm
A5	31 mm
G	M6x1
H1	102 mm



NTN BEARING CORP.OF AMERICA

H2	83 mm
L1	87 mm
L3	83 mm
N1	19 mm
N2	49 mm
s1	20.6 mm
S	10.2 mm
C	31.85 kN
C0	20.8 kN
T min.	-20 ° C
T max.	100 ° C
Recommended tightening torque for set screw	11.5 Nm
Designation of housing	T209-
Designation of bearing	US209G2