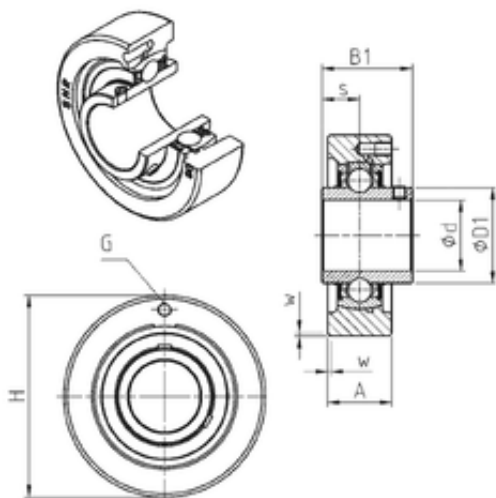




# NTN BEARING CORP.OF AMERICA



## SNR UCC206 bearing units

Bearing No. UCC206

Bore Diameter	30 mm
d	30 mm
s	15,9 mm
A	27 mm
B1	38,1 mm
D1	40,3 mm
H	85 mm
W	1,5 mm
Thread (G)	M6x1
Weight	1 Kg
Basic dynamic load rating (C)	19,5 kN
B	38.1 mm
A3	1.5 mm
A5	22.2 mm
G	M6x1
s1	19.05 mm
S	15.9 mm
SW	3 mm
C	19.5 kN
C0	11.2 kN
T min.	-20 ° C
T max.	100 ° C
Recommended tightening torque for set screw	5.5 Nm
Designation of housing	C206-
Designation of bearing	UC206G2

UCC206 Bearing 2D drawings and 3D CAD models



# NTN BEARING CORP.OF AMERICA