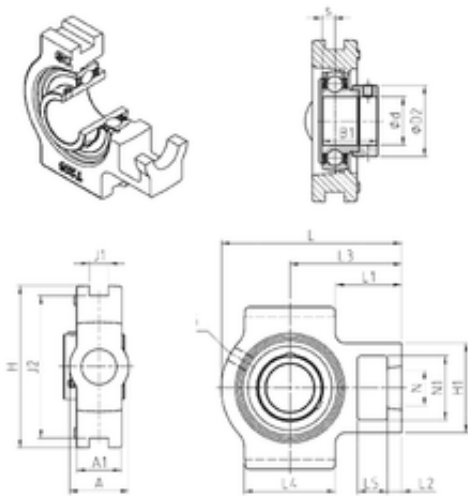




NTN BEARING CORP.OF AMERICA



SNR EST205 bearing units

Bearing No. EST205

Bore Diameter	25 mm
d	25 mm
L4	51 mm
L5	16 mm
L2	10 mm
L3	62 mm
s	7,5 mm
A	32 mm
A1	24 mm
B1	30,9 mm
D2	38,1 mm
H	89 mm
H1	51 mm
L	97 mm
L1	36,5 mm
N	19 mm
N1	32 mm
Thread (G)	M6x1
J1	12 mm
J2	76 mm
Weight	0,8 Kg
Basic dynamic load rating (C)	14 kN
A2	24 mm
B	21.4 mm
A5	13.9 mm
d1	37.4 mm

EST205 Bearing 2D drawings and 3D CAD models



NTN BEARING CORP.OF AMERICA

G	M6x1
H2	51 mm
N2	32 mm
s1	24.2 mm
S	7.5 mm
SW	3 mm
C	14 kN
C0	7.88 kN
T min.	-20 ° C
T max.	100 ° C
Recommended tightening torque for set screw	5.5 Nm
Designation of housing	T205-
Designation of bearing	ES205G2