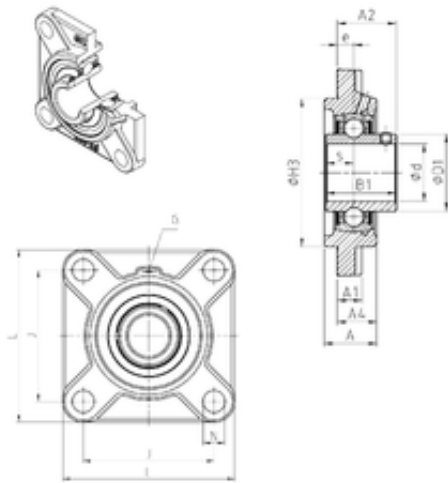




NTN BEARING CORP.OF AMERICA



SNR UCFS309 bearing units

Bearing No. UCFS309

Bore Diameter	45 mm
d	45 mm
H3	125 mm
A4	33 mm
e	14 mm
s	22 mm
A	44 mm
A1	18 mm
B1	57 mm
D1	61,8 mm
J	125 mm
L	160 mm
N	19 mm
Thread (G)	M6x1
A2	49 mm
Weight	3,9 Kg
Basic dynamic load rating (C)	53 kN

UCFS309 Bearing 2D drawings and 3D CAD models