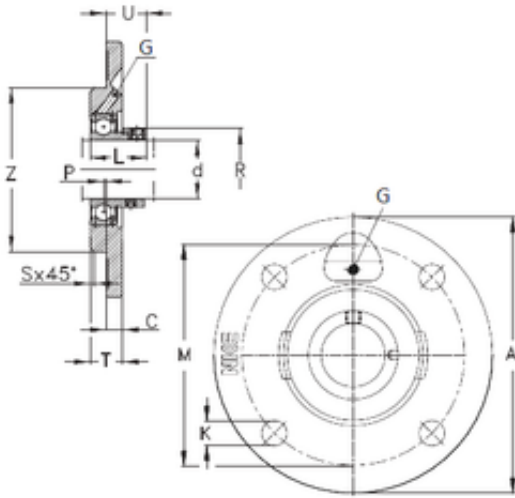




NTN BEARING CORP.OF AMERICA

NKE PME30-N bearing units

Bearing No. PME30-N



PME30-N Bearing 2D drawings and 3D CAD models

Bore Diameter	30 mm
d	30 mm
P	2 mm
U	24,7 mm
K	11,5 mm
Z	80 mm
A	125 mm
C	9,5 mm
L	35,7 mm
M	100 mm
R	44 mm
S	2 mm
T	20,5 mm
Thread (G)	M6