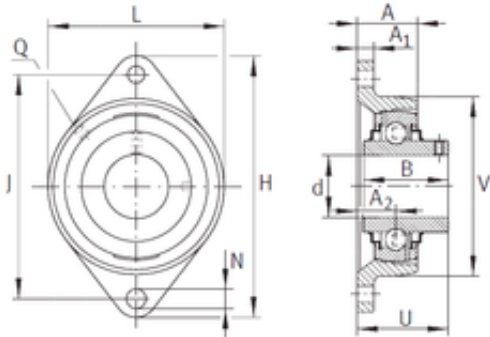




NTN BEARING CORP.OF AMERICA

INA RCJTY15/16 bearing units



Bearing No. RCJTY15/16

Bore Diameter	23,813 mm
d	23,813 mm
V	70,993 mm
U	38,811 mm
Thread (Q)	1/8 NPT
A	27,508 mm
A1	11,989 mm
B	34,112 mm
H	124,993 mm
J	99,009 mm
L	70,993 mm
N	11,506 mm
A2	18,999 mm

RCJTY15/16 Bearing 2D drawings and 3D CAD models