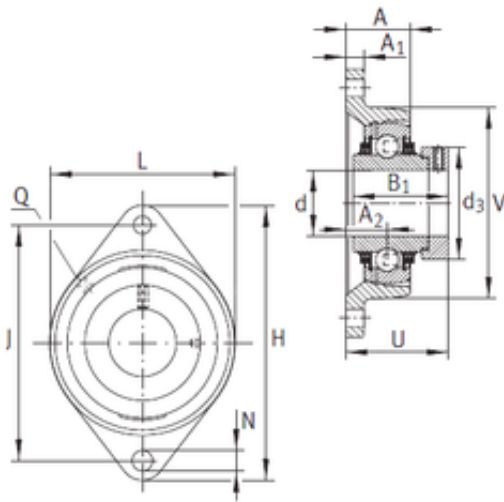




# NTN BEARING CORP.OF AMERICA



TCJT30-N Bearing 2D drawings and 3D CAD models

## INA TCJT30-N bearing units

Bearing No. TCJT30-N

Bore Diameter	30 mm
d	30 mm
V	80 mm
U	50,2 mm
Thread (Q)	Rp1/8
d3	44 mm
A	29 mm
A1	12 mm
B1	48,5 mm
H	142 mm
J	116,5 mm
L	80 mm
N	11,5 mm
A2	20 mm
Weight	0,9 Kg
Basic dynamic load rating (C)	19,5 kN
Category	Flange Block Bearings
Inventory	0.0
Manufacturer Name	SCHAEFFLER GROUP
Minimum Buy Quantity	N/A
Weight / Kilogram	1
Product Group	M06110
Number of Mounting Holes	2
Mounting Method	Eccentric Collar
Housing Style	2 Bolt Flange Block
Rolling Element	Ball Bearing



## NTN BEARING CORP.OF AMERICA

Housing Material	Cast Iron
Expansion / Non-expansion	Non-expansion
Mounting Bolts	11.5 Millimeter
Relubricatable	Yes
Insert Part Number	GE30KPPB3
Seals	Double Triply
Housing Configuration	1 Piece Solid
Pilot Configuration	No Pilot
Inch - Metric	Metric
Long Description	2 Bolt Flange Block; 30MM Bore; 117MM Bolt Circle; 116.5MM Bolt Spacing; 1 Piece Solid; Eccentric Collar Mount; Cast Iron; Ball Bearing; 48.4MM Length Thru Bore; Relubricatable; Double Triply Seal
Other Features	Single Row   Radial   Extended Inner Race   Metric   With Set Screw
Category	Flange Block
UNSPSC	31171501
Harmonized Tariff Code	8483.20.40.40
Noun	Bearing
Keyword String	Flanged
Manufacturer URL	<a href="http://www.ina.com">http://www.ina.com</a>
Manufacturer Item Number	TCJT30
Weight / LBS	2.205
Bolt Spacing	4.587 Inch   116.5 Millimeter
Length Thru Bore	1.906 Inch   48.4 Millimeter
Bore	1.181 Inch   30 Millimeter
Nominal Bolt Circle Diameter Round	4.6 Inch   117 Millimeter
Cartridge Pilot Diameter	0 Inch   0 Millimeter