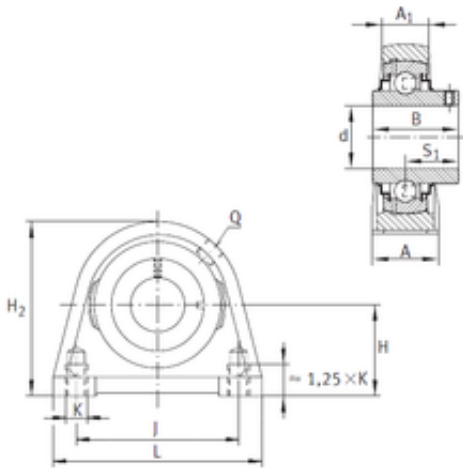




# NTN BEARING CORP.OF AMERICA

## INA RSHEY35-N bearing units

Bearing No. RSHEY35-N



RSHEY35-N Bearing 2D drawings and 3D CAD models

Bore Diameter	35 mm
d	35 mm
Thread (Q)	Rp1/8
Thread (K)	M10
A	45 mm
A1	27 mm
B	42,9 mm
H	47,6 mm
H2	93 mm
J	82,6 mm
L	103 mm
S	25,4 mm
Weight	1,25 Kg
Basic dynamic load rating (C)	25,5 kN
Category	Pillow Block Bearings
Inventory	0.0
Manufacturer Name	SCHAEFFLER GROUP
Minimum Buy Quantity	N/A
Weight / Kilogram	1.736
Product Group	M06110
Number of Mounting Holes	2
Mounting Method	Set Screw
Housing Style	2 Bolt Tap Base Pillow Block
Rolling Element	Ball Bearing
Housing Material	Cast Iron
Expansion / Non-expansion	Non-expansion



## NTN BEARING CORP.OF AMERICA

Mounting Bolts	10 Millimeter
Relubricatable	Yes
Insert Part Number	GYE35KRRB
Seals	Double Land Riding Rubber Contact
Housing Configuration	1 Piece Solid
Inch - Metric	Metric
Other Features	Single Row   Radial   Metric   With Grub Screw
Long Description	2 Bolt Tap Base Pillow Block; 35MM Bore; 47.6MM Base to Center Height; Set Screw Mount; Ball Bearing; Relubricatable; Cast Iron; Double Land Riding Rubber Contact; Non-expansion
Category	Pillow Block
UNSPSC	31171511
Harmonized Tariff Code	8483.20.40.40
Noun	Bearing
Keyword String	Pillow Block
Manufacturer URL	<a href="http://www.ina.com">http://www.ina.com</a>
Manufacturer Item Number	RSHEY35
Weight / LBS	3.462
Actual Bolt Center to Center	3.3 Inch   84Millimeter
Bore	1.378 Inch   35 Millimeter
Base to Center Height	1.874 Inch   47.6 Millimeter
Nominal Bolt Center to Center	3.3 Inch   84 Millimeter
Length Thru Bore	1.689 Inch   42.9 Millimeter