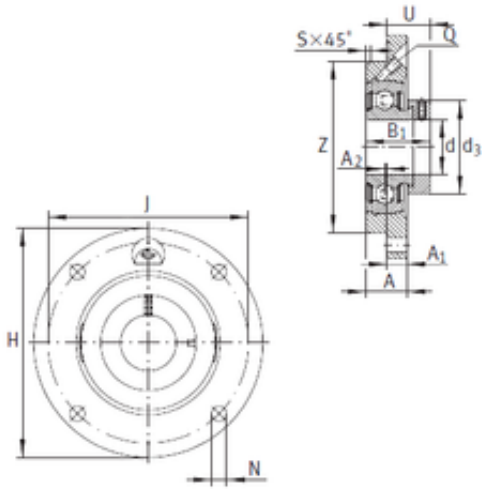




# NTN BEARING CORP.OF AMERICA



## INA PME40-N bearing units

Bearing No. PME40-N

Bore Diameter	40 mm
d	40 mm
U	31,7 mm
Thread (Q)	M6
Z	100 mm
d3	58 mm
A	23 mm
A1	11,5 mm
B1	43,8 mm
H	145 mm
J	120 mm
N	11,5 mm
S	2 mm
A2	1 mm
Weight	1,62 Kg
Basic dynamic load rating (C)	32,5 kN
Category	Flange Block Bearings
Inventory	2.0
Manufacturer Name	SCHAEFFLER GROUP
Minimum Buy Quantity	N/A
Weight / Kilogram	1.94
Product Group	M06110
Number of Mounting Holes	4
Mounting Method	Eccentric Collar
Housing Style	4 Bolt Round Flange Cartridge

PME40-N Bearing 2D drawings and 3D CAD models



## NTN BEARING CORP.OF AMERICA

Rolling Element	Ball Bearing
Housing Material	Cast Iron
Expansion / Non-expansion	Non-expansion
Mounting Bolts	11.5 Millimeter
Relubricatable	Yes
Insert Part Number	GRAE40NPPB
Seals	Double Lip Contact
Housing Configuration	1 Piece Solid
Pilot Configuration	With Pilot
Inch - Metric	Metric
Long Description	4 Bolt Round Flange Cartridge; 40MM Bore; 120MM Bolt Circle; 84.9MM Bolt Spacing; 1 Piece Solid; Eccentric Collar Mount; Cast Iron; Ball Bearing; 43.7MM Length Thru Bore; Relubricatable; Double Lip Co
Other Features	Single Row   Centering Spigot   With Set Screw
Category	Flange Block
UNSPSC	31171501
Harmonized Tariff Code	8483.20.40.40
Noun	Bearing
Keyword String	Flanged
Manufacturer URL	<a href="http://www.ina.com">http://www.ina.com</a>
Manufacturer Item Number	PME40N
Weight / LBS	3.572
Cartridge Pilot Diameter	3.937 Inch   100 Millimeter
Cartridge Pilot Depth	0.374 Inch   9.5 Millimeter
Length Thru Bore	1.72 Inch   43.7 Millimeter
Bore	1.575 Inch   40 Millimeter
Nominal Bolt Circle Diameter Round	4.7 Inch   120 Millimeter



# NTN BEARING CORP.OF AMERICA

Bolt Spacing

3.3 Inch | 84.9 Millimeter