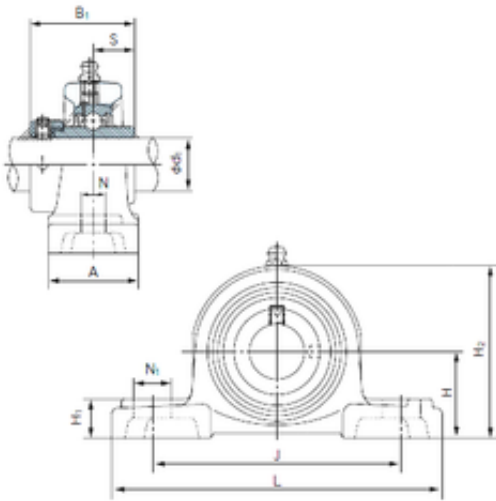




NTN BEARING CORP.OF AMERICA

NACHI UGP205 bearing units

Bearing No. UGP205



UGP205 Bearing 2D drawings and 3D CAD models

Bore Diameter	25 mm
Width	36.5 mm
d	25 mm
A	38 mm
B1	44.4 mm
H	36.5 mm
H1	16 mm
H2	70 mm
J	105 mm
L	140 mm
N	13 mm
N1	16 mm
S	17.5 mm
Bolt (G)	M10