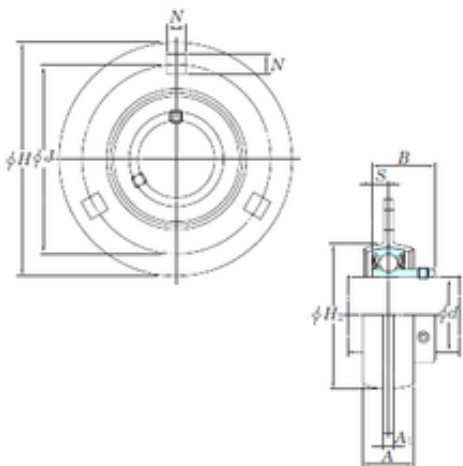




NTN BEARING CORP.OF AMERICA



KOYO SBPF204 bearing units

Bearing No. SBPF204

SBPF204 Bearing 2D drawings and 3D CAD models

Bore Diameter	20 mm
Width	25 mm
d	20 mm
A	16 mm
A1	4 mm
B	25 mm
H	90 mm
H2	55 mm
J	71,5 mm
N	9 mm
S	7 mm
Bolt (G)	M8
Weight	0,33 Kg
Basic dynamic load rating (C)	12,8 kN
Basic static load rating (C0)	6,65 kN
Bearing No.	SBPF204
L	-
Bolt size	M8
Cr	12.8
C0r	6.65
f0	13.2
H1	-
(Refer.)Unit mass(kg)	0.33